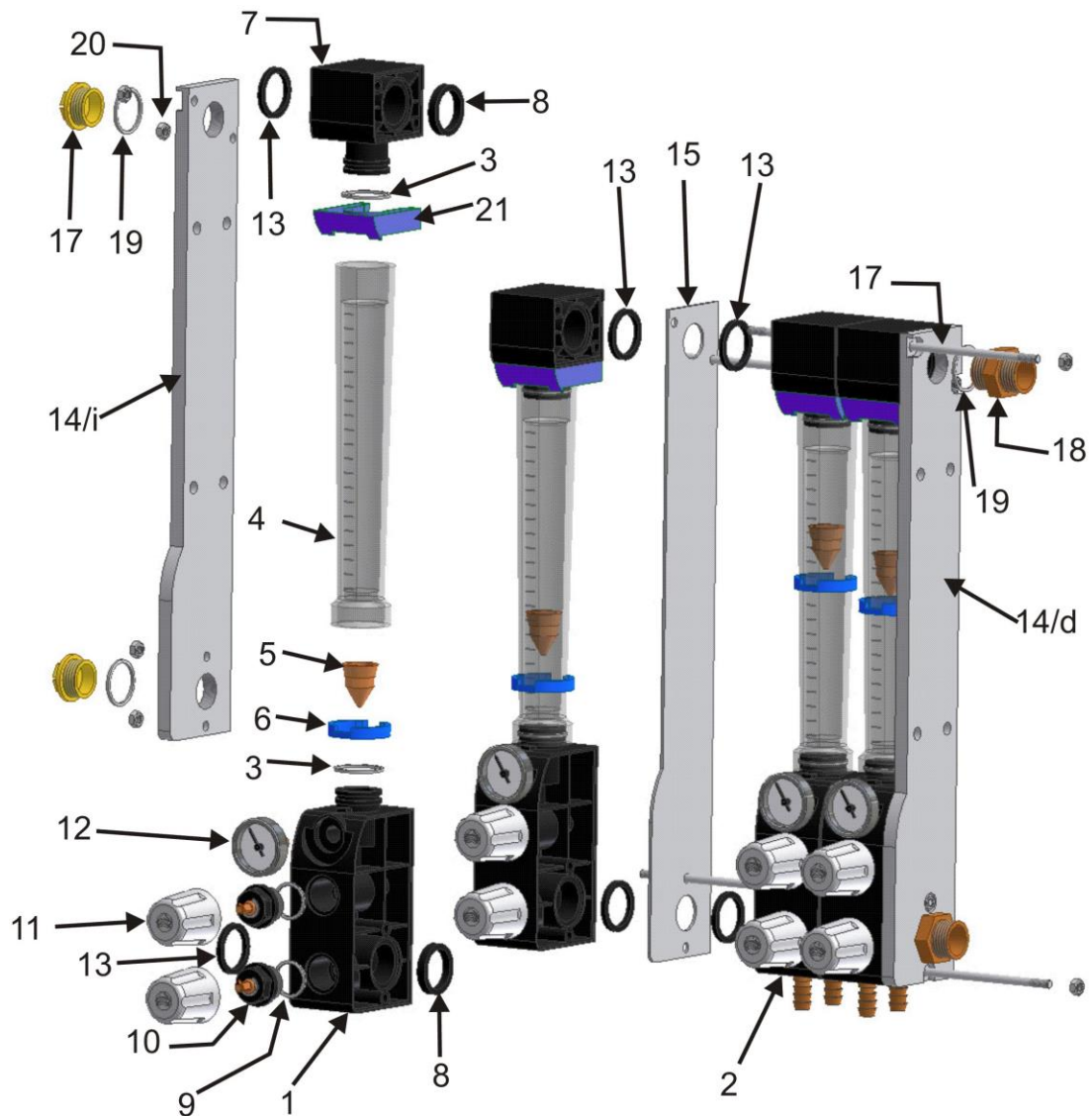
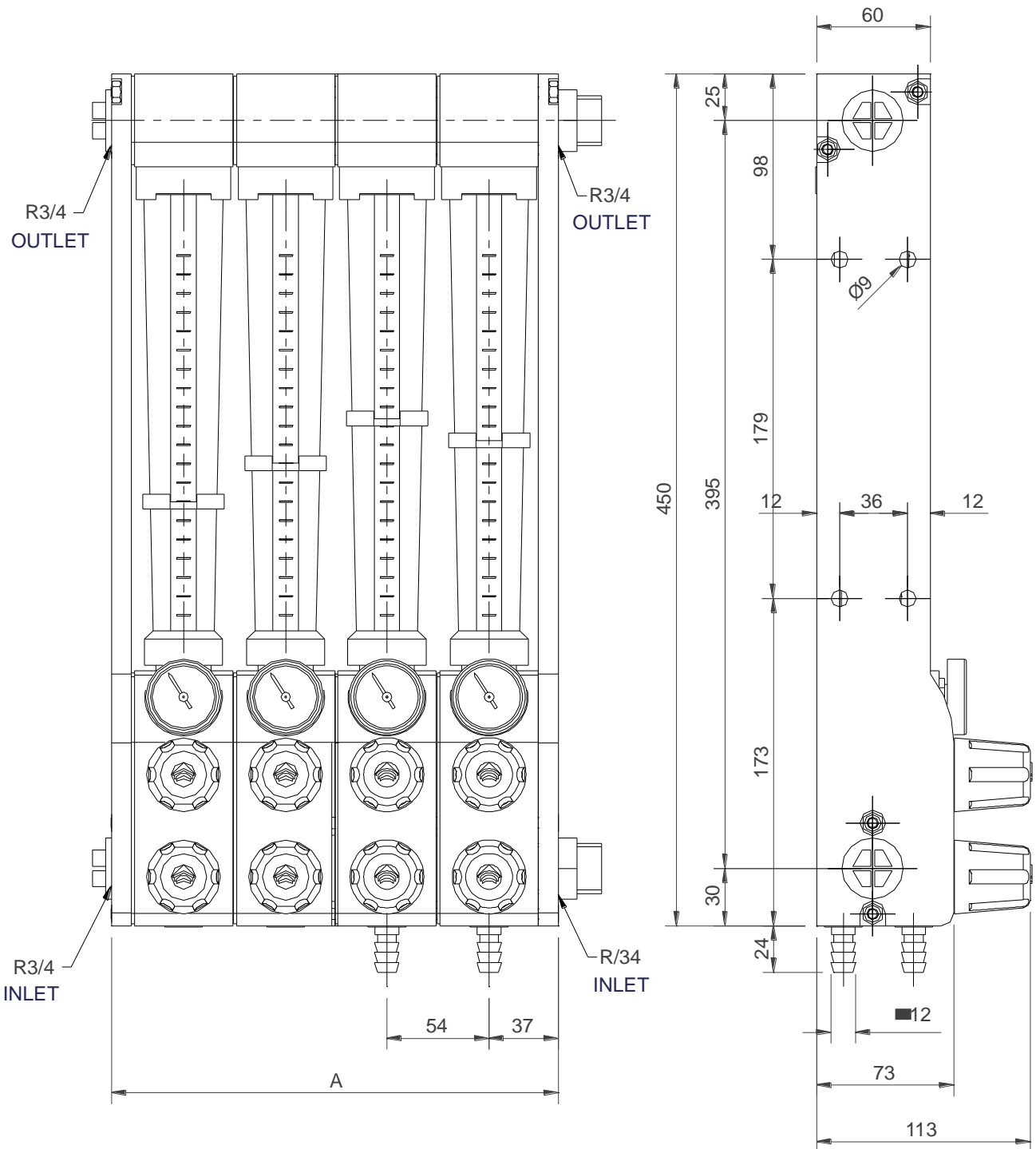


M MOULDPRO®



Pos.	Description	Pos.	Description
1	Lower body 3/8 BSP connections mod. Z/R	12	Thermometer
2	Lower body with R-3/8 mod.Z/S	13	Left o´ring between plate and body 28x35x3.5
3	Tube o´ring (27,x27,3)	14-i	Left aluminium end plate
4	Polyamide tube	14-d	Right aluminium end plate
5	Brass float	15	Intermediate plate
6	Level clip	16	Fix rod (specific to number of zones)
7	Top body	17	Plastic cap
8	Intermediate o´ring (28x34,8x5,8)		
9	Tap o´ring 21x3	19	Nut M-6 zinc
10	Tap	20	
11	knob	21	Tube security clip
		22	Right o´ring between body and plate 28x35x5

M MOULDPRO®



Number of Zones	01	02	03	04	05	06	07	08	09	10	11	12
A	73	126	179	231	284	339	392	444	497	552	607	659